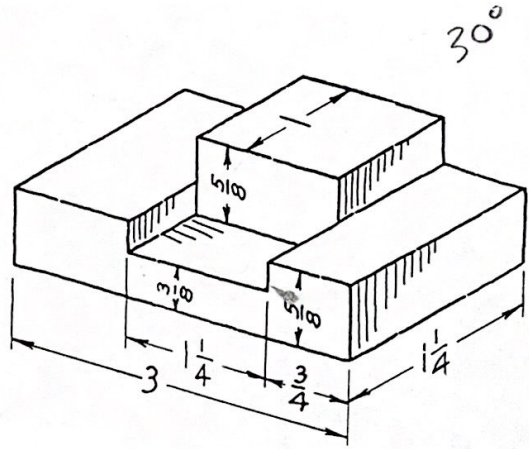
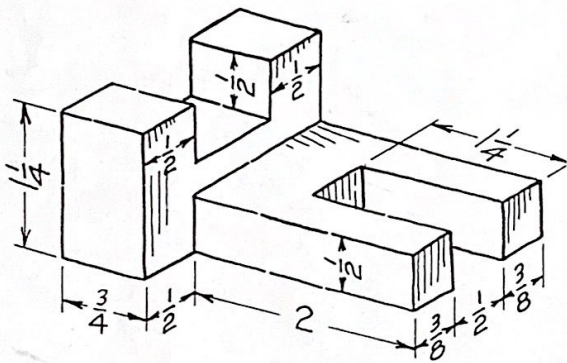


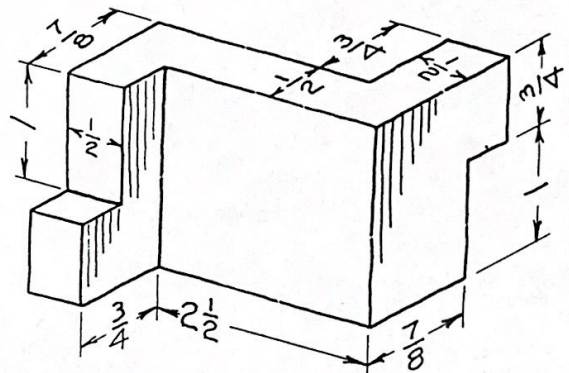
Problem 5•12. Draw three views of the angle spacer.



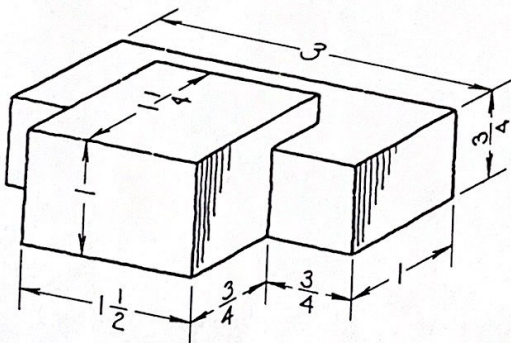
Problem 5•13. Draw three views of the rear base.



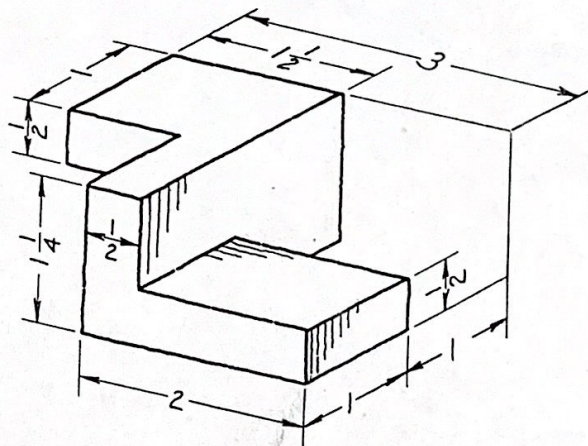
Problem 5•14. Draw three views of the double lock.



Problem 5•15. Draw three views of the offset spacer.



Problem 5•16. Draw three views of the front base.



Problem 5•17. Draw three views of the angle stop.